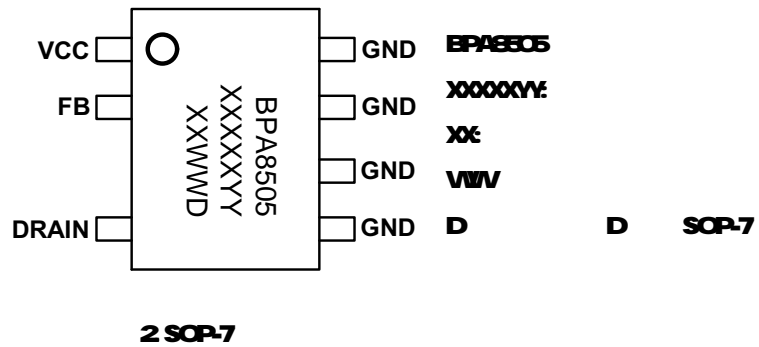


EPAS50ED			■	700V	MOSFET
	85-265VAC	Buck Buck-Boost	■		
Flyback			■	<100mW	
EPAS50ED	700V	MOSFET	■		
			■		
			■		
			■		
			■		
EPAS50ED			■	EMI	
			■		
			■		
EPAS50ED			➤		(SCP)
			➤		(OAP)
			➤		(OLP)
			➤		(CLP, OSA V OS)
EPAS50ED	SOP-7		➤		/
			➤		

EPA8505D	SOP-7	4000V	EPA8505 XXXXXXYY XXWWD



SOP-7		
1	VCC	0.1μF
2	FB	
4	DRAIN	MOSFET
5 6 7 8	GND	MOSFET

(Buck) (1)

	230VAC ± 15%		85 265VAC	
	DCVI	OCVI	DCVI	OCVI
EPA8505D	200mA	300mA	200mA	300mA

1 BUCK

