

## Description

BP2364XN is a high precision non-isolated APFC buck LED driver, specially designed for universal mains with constant current control. BP2364XN operates in Critical Conduction Mode to reduce the switching loss and optimize the EMI.

BP2364XN remove the VCC capacitor, COMP capacitor and R<sub>CS</sub> resistor to simplify the external BOM. And it utilizes specific internal feedback network to achieve high precision output current regulation and high efficiency.

BP2364XN offers full protecting function to ensure the system reliability, including LED load short protection. The system reliability is further improved by the thermal regulation function. The output current is reduced when the device is in condition of over temperature.

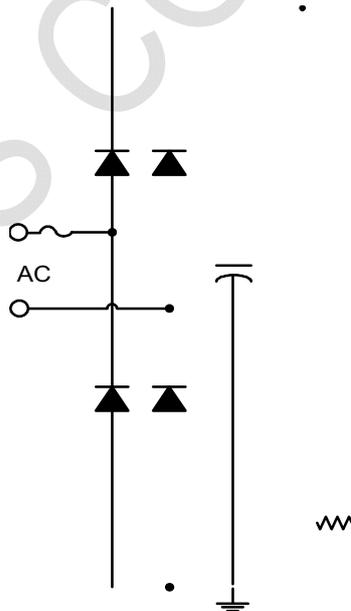
## Features

- Active-PFC for High PF and Low THD
- No VCC and COMP capacitor
- Critical Conduction Mode Operation
- Short Protection
- Protection LED Open F(OVP resistor ADJ)
- Slope Erase Function is compatible with switch and sensor light
- Cycle by Cycle Current Limit
- Available in ASOP8 Package

## Applications

- LED Bulb
- LED Tube
- Other LED Light

## Typical Application





### Disclaimer

The information provided in this datasheet is believed to be accurate and reliable. However, Bright Power Semiconductor (BPS) reserves the right to make changes to its specifications without notice.  
As the user is responsible for the correct application of the BPS product, BPS does not assume any liability for any damage or loss resulting from the use of the information in this datasheet. “AS IS” with all faults, and no warranty, expressed or implied, including but not limited to the accuracy of the information provided in this datasheet or the suitability of the information for a specific purpose, or non-infringement of intellectual property rights of BPS or any other third party. BPS disclaims any liability and is not to be held responsible for any damages or losses, including consequential or incidental damages.

BPS CONFIDENTIAL